

2012

# Dimethylsulfide, climate and coral reef ecosystems

Hilton B. Swan  
*Southern Cross University*

Graham B. Jones  
*Southern Cross University*

Elisabeth Deschaseaux  
*Southern Cross University*

---

## Publication details

Swan, HB, Jones, GB & Deschaseaux, E 2012, 'Dimethylsulfide, climate and coral reef ecosystems', in D Yellowlees & TP Hughes (eds), *Proceedings of the 12th International Coral Reef Symposium*, Cairns, Qld., 9-13 July, James Cook University, Townsville, Qld. ISBN: 9780980857252

**Presentation available on Open Access**

ePublications@SCU is an electronic repository administered by Southern Cross University Library. Its goal is to capture and preserve the intellectual output of Southern Cross University authors and researchers, and to increase visibility and impact through open access to researchers around the world. For further information please contact [epubs@scu.edu.au](mailto:epubs@scu.edu.au).

# Dimethylsulfide, Climate and Coral Reef Ecosystems

Hilton B Swan<sup>1</sup>, Graham B. Jones<sup>1,2</sup> and Elisabeth Deschaseaux<sup>1</sup>

<sup>1</sup>School of Environment, Science and Engineering, Southern Cross University, Lismore NSW 2480, Australia

<sup>2</sup>Marine Ecology Research Centre, Southern Cross University, Lismore NSW 2480, Australia

Corresponding author: [h.swan.11@scu.edu.au](mailto:h.swan.11@scu.edu.au)

**Abstract.** Dimethylsulfide (DMS) is the major biogenic source of atmospheric sulfur and is mainly derived from dimethylsulfoniopropionate (DMSP) produced by oceanic phytoplankton, marine algae and endosymbiont zooxanthellae in reef-building corals. Although coral reefs occupy <1% of the global oceans, the potential source strength of DMS from these areas was found to be significant in comparison to other oceanic areas. In this study, healthy nubbins of *Acropora valida* and *Acropora pulchra* collected at Heron Island were examined to assess the source strength of DMS from these common coral species. Total DMS (free DMS and DMSP-derived DMS) measured in these corals was on average 3.6  $\mu\text{mol cm}^{-2}$  surface area. Sediment from the coral reef flat was found to release ~1000 times less DMS than the *Acropora* corals when compared by weight. Megatonnes of DMS are released from the oceans to the atmosphere annually, where it is oxidised to contribute to new nanoparticles that can lead to cloud condensation nuclei (CCN). These affect cloud microphysical properties and consequently the Earth's radiation budget and climate. The results suggest emissions of DMS from coral reefs are significant and may affect regional climate. Notably strong DMS plumes of up to 13  $\text{nmol m}^{-3}$  of air were detected above the coral reef flat during low tide when it was exposed at the end of the day under calm conditions. A seasonal comparison of atmospheric DMS concentrations determined at Heron Island with a temperate marine location showed the reef to be a greater source of DMS.

**Key words:** DMS, DMSP, Coral, Climate, Aerosol.

## Introduction

DMS is the most abundant biogenic sulfur compound released from the oceans to the atmosphere (Andreae and Raemdonck, 1983) with recent global estimates at 28 Tg annually (Lana *et al.*, 2011). The atmospheric lifetime of DMS is short (~1 day) because it is rapidly removed, mainly by hydroxyl radical, to form a variety of oxidized aerosol particles which affect solar radiation in the marine boundary layer (MBL) (Berresheim *et al.*, 1990). Of particular importance is the oxidation product  $\text{H}_2\text{SO}_4$  which can lead to the formation of new particles that may collectively affect the Earth's radiation budget (Vallina and Simó, 2007). It is thought that a major source of CCN over the oceans is derived from DMS, and a link between phytoplankton, DMS and cloud albedo (reflectiveness) has been proposed (Charlson *et al.*, 1987) which regulates temperature and climate.

Total aerosol particle concentrations over the Great Barrier Reef (GBR) were reported 34 years ago (Bigg and Turvey, 1978) to be on average 7 times higher than in typical maritime air. However, it was not until recently that Modini *et al.*, (2009) reported what is believed to be the first direct observation of particle formation over the GBR, and concluded this to be potentially climatically significant. Reports of high levels of DMS in and around coral reefs of the GBR

(Broadbent and Jones, 2004; Jones *et al.*, 2007) have led to the belief that emissions of DMS from coral reefs are locally significant and could affect cloud-cover and the amount of incident solar radiation that a reef receives (Fischer and Jones 2012). This is supported by recent research that suggests an ocean thermostat involving sea surface temperature (SST) and cloud cover operates in the Western Pacific Warm Pool to the north of Australia, where coral reefs in this region may influence cloud cover keeping sea surface temperatures below 30°C, limiting coral bleaching events (Kleypas *et al.*, 2008).

It has been shown that coral reefs are a source of DMS that is subsequently transferred to the atmosphere, and then oxidised to aerosol precursors of CCN such as non-sea-salt-sulfate, potentially forming cloud over reefs (Modini *et al.*, 2009, Fischer and Jones, 2012). However, it has also been reported that corals may shut down DMS production when stressed by elevated SST and light levels, thus possibly reducing DMS derived aerosols and cloud cover in the marine boundary layer, increasing solar radiation levels over reefs and exacerbating coral bleaching (Fischer and Jones, 2012). The cause of this shut down in DMS emission could be linked to the use of these sulfur substances as antioxidants within stressed corals (Jones *et al.*, 2007).

In marine ecosystems DMS and DMSP may also provide a mechanism to assist the flow of nutrients and energy via an infochemical role. It has been demonstrated that organisms as small as copepods will react to plumes of DMS injected into their surroundings (Steinke *et al.*, 2006) and that DMS and DMSP increase the foraging success of zooplankton predators to find and capture prey (Seymour *et al.*, 2010). Planktivorous reef fish will aggregate to DMSP experimentally deployed at biogenic concentrations ( $10^{-7}$  M) along a fringing coral reef (De Bose *et al.*, 2008), while herbivorous reef fish can be agents of DMSP decomposition and DMS distribution (Dacey *et al.*, 1994). Apex predators such as procellariiform seabirds can detect localised elevation in atmospheric DMS as an ocean surface foraging cue (Nevitt, 2011). DMS and DMSP thus appear to assist the process of predation, which is a dominant driving force on coral reefs required for the rapid and efficient recycling of nutrients and energy through these unique ecosystems (Hoegh-Guldberg and Dove, 2008). The abilities of reef fish to detect infochemical cues could however be affected by increased ocean acidification, which will apparently impair their olfactory discrimination and disrupt the predatory process (Dixon *et al.*, 2010). This could greatly impact the biodiversity of coral reefs, and possibly lead to adverse climatic implications by affecting emissions of DMS to the atmosphere. The atmospheric and trophic processes outlined indicate that biogeochemical cycling, ecosystem health and climate are not mutually exclusive (Nevitt, 2011).

### Material and Methods

This study was conducted at the Heron Island Research Station (23°26'34"S, 151°54'48"E) in the Capricornia Cays on the southern end of the GBR during May/June 2011. It formed part of the first Coral Reef Aerosol Characterisation Experiment (CORACE-1) with the aim to better characterize reef aerosol emissions and gauge their importance to regional climate (Deschaseaux *et al.*, 2012, this issue).

#### Sampling and Analysis of Atmospheric DMS

Atmospheric DMS ( $DMS_a$ ) was sampled through a 12.5 mm diameter tube using a low flow vacuum pump ( $\sim 330$  mL  $min^{-1}$ ). The sample intake was above roof height at  $\sim 15$  m ASL in a direct line of sight to the ocean. Each air sample was drawn through a high-capacity oxidant scrubbing filter and then through a Pyrex tube containing gold-coated glass wool, according to a previously reported procedure (Kittler *et al.*, 1992). The air volumes sampled were measured using a high-precision gas meter (Toyo ML2500, Japan). These gold-wool chemisorption traps were

sealed and stored for later analysis at SCU using the valving and cryotrap configuration shown in Fig. 1.

DMS was released from the gold-wool by thermal desorption at 350°C for 25 mins and sent to a cryotrap prior to analysis with a Varian CP3800 gas chromatograph equipped with a pulsed flame photometric detector (GC/PFPD). An internal standard of methylethylsulfide (MES) was added to each sample, via a certified permeation tube, and calibration was achieved using a certified DMS permeation tube (Dynacal, Vici Metronics, USA). Further details of this analysis procedure are described elsewhere (Swan and Ivey, 1994).

It has been shown that S-gases can be quantitatively adsorbed onto and thermally desorbed from metal surfaces such as Pd, Pt and Au (Kagel and Farwell, 1986), and this chemisorption technique using Au is a convenient means for the sampling of atmospheric DMS (Kittler *et al.*, 1992). The recovery of DMS from the gold-wool traps has previously been found to be  $97.0 \pm 2.8$  % ( $n = 49$ ) provided their breakthrough volume of  $\sim 120$  L of air is not exceeded (Swan and Ivey, 1994).

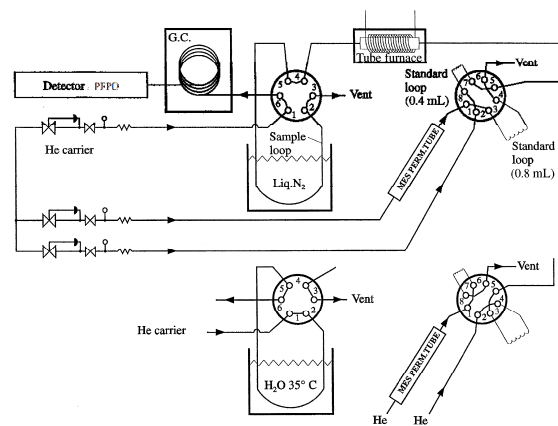


Figure 1: Configuration of the valving and cryogenic trap system used for the analysis of atmospheric DMS sampled at Heron Island.

#### Sampling and Analysis of DMS from Coral Nubbins and Sediment

Small nubbin tips ( $\sim 0.5$ -1 g) were removed from healthy colonies of *Acropora valida* and *Acropora pulchra* (clade C2). Without delay, each nubbin was placed on paper to drain, weighed, and then transferred into a 20 mL capacity headspace (HS) vial containing 5 mL of 20% sodium sulfate acidified with 0.1% HCl, then crimp capped. Other samples were prepared in HS vials containing 5 mL of 20% sodium sulfate with the addition of one pellet of NaOH ( $\sim 0.2$  g =  $\sim 1$ M) to each vial. The samples treated with HCl were used to measure free DMS, while those treated with NaOH gave a measure of

total DMS (i.e. free DMS and DMSP-derived DMS via alkaline hydrolysis). Total DMSP (DMSP<sub>t</sub>) was obtained from the difference of the NaOH and HCl treated samples. The surface areas of the nubbins were determined by hot wax displacement (Chancerelle, 2000) after analysis for DMS. Sediment, largely comprised of granular coral fragments, was also collected from below the live coral colonies. Approximately 5 g of this wet sediment was weighed into HS vials and prepared as described for nubbins.

These samples were analysed at the National Measurement Institute (NMI), Sydney, using static headspace gas chromatography with a mass spectral detector (HS/GC/MS). This equipment (Agilent G1888HS, 6890GC, 5973MSD) was operated in scan mode (range  $m/z$  25-150) using multiple headspace extraction (Kolb and Ettore, 2006). DMS was confirmed by its characteristic 70 eV mass spectrum at the expected GC retention time, and it was quantified by the sum of the responses from extracted ions  $m/z$  62, 63, 64. A DMSP.HCl reference material ( $170.7 \text{ g mol}^{-1}$ ) of  $90.3 \pm 1.8\%$  purity was prepared at the NMI from the reaction of excess DMS with acrylic acid in dry toluene followed by the addition of ethereal HCl to precipitate the product (Howard and Russell, 1995). Calibration was achieved by alkaline hydrolysis of the DMSP.HCl in 5 mL of 20% sodium sulfate to produce a number of suitable DMS standards in HS vials (Dacey and Blough, 1987). The chemical reaction that generates DMS is:  $\text{DMSP.HCl} + \text{NaOH} \rightarrow \text{DMS} + \text{A} + \text{H}_2\text{O} + \text{NaCl}$ , where A is acrylate.

## Results

Free DMS and total DMS released from coral nubbins was  $9.6 \pm 2.5$  and  $17.4 \pm 3.8 \text{ } \mu\text{mol g}^{-1}$ , respectively ( $n = 7$ ). When related to coral surface area these concentrations are  $1.5 \pm 0.5$  and  $3.6 \pm 1.7 \text{ } \mu\text{mol cm}^{-2}$ , respectively. The increased relative standard deviation for these figures reflects the difficulty of determining the surface areas of small nubbins. *A. valida* and *A. pulchra* contained similar concentrations of DMS. Free DMS and total DMS measured in the sediment was 9.0 and 19.5  $\text{nmol g}^{-1}$ , respectively.

The concentrations of DMS<sub>a</sub> from gold-wool samples taken between 30<sup>th</sup> May – 8<sup>th</sup> June 2011 were found to range from none detected to 13.1  $\text{nmol m}^{-3}$  (mean 2.3  $\text{nmol m}^{-3}$ ,  $n = 43$ , Fig. 2). The maximum DMS<sub>a</sub> was detected on the 6<sup>th</sup> of June around sunset under still conditions. This sample of 67.9 L of air was collected on a rising tide just after a low tide of 0.6 m when the coral reef platform was exposed. Another high DMS<sub>a</sub> of 12.8  $\text{nmol m}^{-3}$  was detected on the 3<sup>rd</sup> of June from a 47.0 L air sample, under similar calm conditions around sunset after a low tide of

0.4 m. The air temperature was 23°C when both these samples were collected.

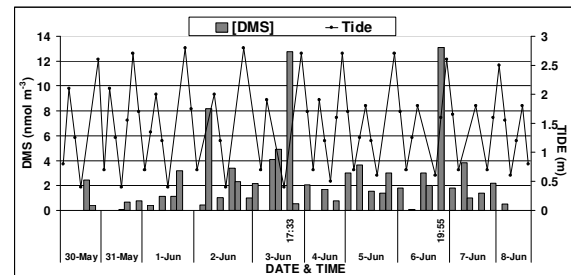


Figure 2: Atmospheric DMS concentrations derived from samples taken at Heron Island 30<sup>th</sup> May to 8<sup>th</sup> June 2011, with tide heights shown.

## Discussion

### DMS and DMSP production from Coral Reefs

The analysis of small coral nubbins by static HS/GC/MS is a non-disruptive means to measure *in-situ* DMS in coral biomass. The procedures applied allowed determination of free DMS and DMSP<sub>t</sub> from the zooxanthellae and host cells. This study was used to assess methodology and gauge the level of DMS present in coral for further analysis by isotope dilution with deuterated internal standards (Smith *et al.*, 1999). The results indicated that free DMS is a significant fraction of the potential DMS present in coral biomass in the form of DMSP, and may be generated enzymatically from the DMSP precursor as part of the symbiotic process. Coralline DMS appears to originate from the zooxanthellae symbionts rather than the invertebrate host (van Alstyne *et al.*, 2008) where it may accumulate before release to the water column. The concentrations of free DMS and total DMS released from coral nubbins were approximately  $10^3$  times higher than in the sediment, which indicates that actively growing coral biomass is a far richer source of DMS than the benthos in the sediment.

On a cellular basis, *Symbiodinium* sp are a very rich source of DMS to coral reef ecosystems. By applying a winter mean *Acropora* sp zooxanthellae density of  $3 \times 10^6 \text{ cells cm}^{-2}$  (Moothien-Pillay *et al.*, 2005) and a *Symbiodinium* (Clade C) cell diameter of 8.5  $\mu\text{m}$  (spherical cell volume of 322 fL), the mean free DMS and DMSP<sub>t</sub> measured in this study is 0.5 and 0.7  $\text{pmol cell}^{-1}$ , respectively. This equates to 1675 and 2299  $\text{mmol L}^{-1}$  (cell volume), respectively. These concentrations are within the broad range of 36 to 7590  $\text{mmol L}^{-1}$  (cell volume) reported by Broadbent *et al* (2002). It has been found that the concentrations of DMS and DMSP, and the production of DMS are strain-specific in cultures of *Symbiodinium* sp (Steinke *et al.*, 2011), which provides one reason for the broad range of observed cellular concentrations.

Mucus exuded from *Acropora formosa* has been reported to contain 25.4  $\mu\text{M}$  DMS, while mucus ropes contained 18.7  $\mu\text{M}$  DMS and 54.4  $\mu\text{M}$  DMSP (Broadbent and Jones, 2004). This data, along with measurements of coral nubbins from this study, are some of the highest concentrations of DMS and DMSP measured in any natural marine system. Coral reefs are therefore marine 'power-houses' for DMS and DMSP production, which are important components of the biogeochemical cycling of sulfur and carbon within these ecosystems.

#### *Atmospheric DMS: Comparisons and Patterns*

Significant emission of DMS to the atmosphere from coral reefs is expected to occur based on the concentrations of DMS released from the coral nubbins examined in this study. The two highest  $\text{DMS}_a$  at Heron Island of 12.8 and 13.1  $\text{nmol m}^{-3}$  measured at the start of winter are similar to maximum summer  $\text{DMS}_a$  (13-14  $\text{nmol m}^{-3}$ ) at the temperate location of Cape Grim in NW Tasmania (40°41'S, 144°41'E) during 1991 and 1992 using this technique (Gillett *et al.*, 1993; Swan and Ivey, 1994). At Cape Grim, maximum  $\text{DMS}_a$  are associated with seasonal summer phytoplankton blooms, while  $\text{DMS}_a$  typically does not exceed 1  $\text{nmol m}^{-3}$  during the dormant austral winter. At One Tree Reef (23°30'S, 152°06'E)  $\text{DMS}_a$  was found to range from 0.12 to a summer maximum of 23  $\text{nmol m}^{-3}$  (mean 6.5  $\text{nmol m}^{-3}$ ) in a seasonal study reported by Broadbent and Jones (2006). These seasonal and latitudinal comparisons indicate that more  $\text{DMS}_a$  originates from coral reefs than other temperate marine ecosystems.

It has been noted that  $\text{DMS}_a$  over coral reefs in the northern GBR, and the wider Coral, Solomon and Bismarck Seas to the northeast of Australia often increased after low tide which exposed the reefs to the atmosphere (Jones and Trevena, 2005). The tendency for elevated  $\text{DMS}_a$  at low tide or on the rising tide after low water was also observed from the coral reef flat at Heron Island (Fig. 2), which indicates that it is a point source for the emission of DMS. When the reef flat is exposed direct release of DMS to the atmosphere can occur and there is no need for wind to act as a sea-to-air transfer mechanism (Liss and Merlivat, 1986). A rising tide over the surface of the reef could also provide sufficient agitation to release DMS to the air without the need for wind to break the surface water film barrier. Consequently maximum  $\text{DMS}_a$  is expected to occur around low tide during still conditions when mixing and dilution of the coral reef point source emission with maritime air is least.

The observation of enhanced biogenic emissions associated with low tides is however not peculiar to coral reefs. It has been reported that an algal field on

the Atlantic coast of Western Brittany (France) when uncovered at low tide was a notably more active source of  $\text{DMS}_a$  than when covered at high tide (Luce *et al.*, 1993). At the Mace Head Atmospheric Research Station in western Ireland, elevated emissions of organo-iodine compounds from brown kelp have been found to coincide with low tides when the kelp is exposed (Carpenter *et al.*, 2001). Like DMS, these halogenated organic emissions from kelp can lead to the formation of climatically relevant aerosol via photochemically produced oxidation products such as iodine monoxide (O'Dowd and Hoffman, 2005).

Factors such as surface seawater DMS concentrations, wind speed and direction, solar radiation intensity, atmospheric oxidant levels, conditions in the MBL, tides and SST all influence the observed  $\text{DMS}_a$  concentrations and thus its variability. Increased wind speed enhances emission of dissolved DMS to the atmosphere via wave and bubble-mediated action (Wanninkhof, 1992); air that has travelled over the oceans and particularly coral reefs will contain more DMS than air that has a back trajectory from the continent; high actinic flux leads to increased production of hydroxyl radical from  $\text{O}_3$  photolysis and thus daytime destruction of DMS (Ayers *et al.*, 1995); the DMS sea-to-air transfer velocity is dependent on SST (Yang *et al.*, 2011). Fig. 2 shows the high variability of  $\text{DMS}_a$  which may occur, where tide height is just one of many physical processes that can influence observed concentrations. The processes controlling short-term fluctuations in  $\text{DMS}_a$  cannot be completely assessed using gold-wool chemisorption because it is a low frequency sampling technique. Therefore, as part of future CORACE studies, high time-resolved on-line  $\text{DMS}_a$  sampling coupled with continuous light, wind, DMS in seawater and tidal monitoring is planned to further understand the processes that control short-term variability in  $\text{DMS}_a$ . These measurements will also allow the sea-to-air flux of DMS from the Heron Island coral reef to be determined.

#### **Acknowledgement**

We would like to thank the CORACE team from QUT, staff at the HIRS for assistance with our experimental needs and the NMI for preparation of the DMSP.HCl reference material. This research was funded by the MERC at SCU and financial support was received from the SCU Division of Research. We are also grateful to the GBR Marine Park Authority for permits to collect corals and the two reviewers of this manuscript.

#### **References**

- Andreae MO, Raemdonck H (1983) Dimethyl sulfide in the surface ocean and the marine atmosphere: a global view. *Science* 221:744-747
- Ayers GP, Gillett RW, Ivey JP, Schäfer B, Gabric A (1995) Short-term variability in marine atmospheric dimethylsulfide concentration. *Geophys Res Lett* 22:2513-2516

- Berresheim H, Andreae MO, Ayers GP, Gillett RWW, Merrill J, Davis VJ, Chameides WE (1990) Airborne measurements of dimethylsulfide, sulfur dioxide, and aerosol ions over the Southern Ocean south of Australia. *J Atmos Chem* 10:341-370
- Bigg EK, Turvey DE (1978) Sources of atmospheric particles over Australia. *Atmos Environ* 12:1643-1655
- Broadbent A, Jones G (2006) Seasonal and diurnal cycles of dimethylsulfide, dimethylsulfoniopropionate and dimethylsulfoxide at One Tree Reef lagoon. *Environ Chem* 3:260-267
- Broadbent AD, Jones GB (2004) DMS and DMSP in mucus ropes, coral mucus, surface films and sediment pore waters from coral reefs in the Great Barrier Reef. *Mar Fresh Res* 55:849
- Broadbent AD, Jones GB, Jones RJ (2002) DMSP in corals and benthic algae from the Great Barrier Reef. *Estuar Coast Shelf Sci* 55:547-555
- Carpenter LJ, Hebestreit K, Platt U, Liss PS (2001) Coastal zone production of IO precursors: a 2-dimensional study. *Atmos Chem Physics* 1:9-18
- Chancerelle Y (2000) Methods to estimate actual surface areas of scleractinian coral at the colony- and community-scale. *Oceanol Acta* 23: 211-219
- Charlson RJ, Lovelock JE, Andreae MO, Warren SG (1987) Oceanic phytoplankton, atmospheric sulphur, cloud albedo and climate. *Nature* 326:655-661
- Dacey JWH, Blough NV (1987) Hydroxide decomposition of dimethylsulfoniopropionate to form dimethylsulfide. *Geophys Res Lett* 14:1246-1249
- Dacey JWH, King GM, Lobel PS (1994) Herbivory by reef fishes and the production of dimethylsulfide and acrylic acid. *Mar Ecol Prog Ser* 112:67-74
- De Bose JL, Lema SC, Nevitt GA (2008) Dimethylsulfoniopropionate as a foraging cue for reef fishes. *Science* 319:1356
- Deschaseaux E, Jones G, Milijevic B, Ristovski Z, Swan H, Vaattovaara P (2012) Can corals form aerosol particles through volatile sulphur compound emissions? *Proc 12th Int Coral Reef Sym*, Cairns, Australia
- Dixon DL, Munday PL, Jones GP (2010) Ocean acidification disrupts the innate ability of fish to detect predator olfactory cues. *Ecol Lett* 13:68-75
- Fischer E, Jones GB (2012) Atmospheric dimethylsulfide production from corals in the Great Barrier Reef and links to solar radiation, climate and coral bleaching. *Biogeochem Special Issue*: in press
- Gillett RW, Ayers GP, Ivey JP, Gras JL (1993) Measurement of dimethyl sulfide, sulfur dioxide, methane sulfonic acid and non sea salt sulfate at the Cape Grim baseline station. in G Restelli and G Angeletti (eds) *Dimethylsulphide: Oceans, Atmosphere and Climate*. Kluwer Academic Publishers, Dordrecht, Netherlands, pp 117-128
- Hoegh-Guldberg O, Dove S (2008) Primary production, nutrient recycling and energy flow through coral reef ecosystems. in P Hutchings, et al. (eds) *The Great Barrier Reef: Biology, Environment and Management*. CSIRO Publishing, Collingwood, Victoria, pp 59-73
- Howard AG, Russell DW (1995) HPLC-FPD instrumentation for the measurement of the atmospheric dimethyl sulfide precursor  $\beta$ -(dimethylsulfonio)propionate. *Anal Chem* 67:1293-1295
- Jones G, Curran M, Broadbent A, King S, Fischer E, Jones R (2007) Factors affecting the cycling of dimethylsulfide and dimethylsulfoniopropionate in coral reef waters of the Great Barrier Reef. *Environ Chem* 4:310-322
- Jones GB, Trevena AJ (2005) The influence of coral reefs on atmospheric dimethylsulphide over the Great Barrier Reef, Coral Sea, Gulf of Papua and Solomon and Bismarck Seas. *Mar Fresh Res* 56:85-93
- Kagel RA, Farwell SO (1986) Evaluation of metallic foils for preconcentration of sulfur-containing gases with subsequent flash desorption/ flame photometric detection. *Anal Chem* 58:1197-1202
- Kittler P, Swan H, Ivey J (1992) An indicating oxidant scrubber for the measurement of atmospheric dimethylsulphide. *Atmos Environ* 26A:2661-2664
- Kleypas JA, Danabasoglu G, Lough JM (2008) Potential role of the ocean thermostat in determining regional differences in coral reef bleaching events. *Geophys Res Lett* 35
- Kolb B, Eitre LS (2006) *Static Headspace-Gas Chromatography: Theory and Practice*. 2 ed John Wiley & Sons Inc, Hoboken, New Jersey
- Lana A, Bell TG, Simó R, Vallina SM, Ballabrera-Poy J, Kettle AJ, Dachs J, Bopp L, Saltzman ES, Stefels J, Johnson JE, Liss PS (2011) An updated climatology of surface concentrations and emission fluxes in the global ocean. *Global Biogeochem Cycles* 25:1-17
- Liss PS, Merlivat L (1986) Air-sea exchange rates: Introduction and synthesis. in P Buat-Menard (ed) *The Role of Air-Sea Exchange in Geochemical Cycling*. Reidel, Dordrecht, Netherlands, pp 113-127
- Luce C, Pashalidis S, Girard R, Carlier P, Morelli J (1993) Characterization of parameters controlling atmospheric concentrations of biogenic dimethylsulphide near a coastal algae field. in G Restelli and G Angeletti (eds) *Dimethylsulphide: Oceans, Atmosphere and Climate*. Kluwer Academic Publishers, Dordrecht, Netherlands, pp 129-141
- Modini RL, Ristovski ZD, Johnson GR, He C, Surawski N, Morawska L, Suni T, Kulmala M (2009) New particle formation and growth at a remote, subtropical coastal location. *Atmos Chem Physics Discuss* 9:12101-12139
- Moothien-Pillay R, Willis B, Terashima H (2005) Trends in the density of zooxanthellae in *Acropora millepora* (Ehrenberg, 1834) at the Palm Island Group, Great Barrier Reef, Australia. *Symbiosis* 38:209-226
- Nevitt GA (2011) The neuroecology of dimethyl sulfide: a global-climate regulator turned marine infochemical. *Integr Comp Biol* 51:819-825
- O'Dowd CD, Hoffman T (2005) Coastal new particle formation: a review of current state-of-the-art. *Environ Chem* 2:245
- Seymour JR, Simó R, Ahmed T, Stocker R (2010) Chemoattraction to dimethylsulfoniopropionate throughout the marine microbial food web. *Science* 329:342-345
- Smith GC, Clark T, Knutsen L, Barrett E (1999) Methodology for analyzing dimethyl sulfide and dimethyl sulfoniopropionate in seawater using deuterated internal standards. *Anal Chem* 71:5563-5568
- Steinke M, Stefels J, Stamsuis E (2006) Dimethyl sulfide triggers search behaviour in copepods. *Limnol Oceanogr* 51:1925-1930
- Steinke M, Brading P, Kerrison P, Warner ME, Suggett DJ (2011) Concentrations of dimethylsulfoniopropionate and dimethylsulfide are strain-specific in symbiotic dinoflagellates (*Symbiodinium* sp., Dinophyceae). *J Phycol* 47:775-783
- Swan HB, Ivey JP (1994) Analysis of atmospheric sulfur gases by capillary gas chromatography with atomic emission detection. *J High Resolut Chromatogr* 17:814-820
- Vallina SM, Simó R (2007) Strong relationship between DMS and the solar radiation dose over the global ocean. *Science* 315:506
- van Alstyne KL, Dominique VJI, Muller-parker G (2008) Is dimethylsulfoniopropionate (DMSP) produced by the symbionts or the host in an anemone-zooxanthella symbiosis? *Coral Reefs* 28:167-176
- Wanninkhof R (1992) Relationship between wind speed and gas exchange over the ocean. *J Geophys Res (C Oceans)* 97:7373-7382
- Yang M, Blomquist BW, Fairall CW, Archer SD, Huebert BJ (2011) Air-sea exchange of dimethylsulfide in the Southern Ocean: Measurements from SO GasEx compared to temperate and tropical regions. *J Geophys Res* 116:1-17